



FULLY REDUNDANT UPLINK DSNG ATM-6



TRANSMISSION

Fully redundant uplink chain: 2+0, 1+1

EUTELSAT STATION CODE E-356

HISPASAT STATION CODE ATM-6

EIRP: 61 dBW

2 Encoder TANDBERG E5714 Voyager

Video codification : 4:2:2. MPEG-2

DVBS-2 & DVBS. QPSK, 8PSK

Encryption BISS E / BISS 1 / RAS

2 SSPA's ADVANTECH 100W

Redundant SSPA Controller

Driveaway Antena HOLKIRK 1,2 m

Gain transmission: 43dBi

G/T:22,1dBk

2 Decoder TANDBERG TT1260 DVBS-2 & DVBS

4:2:2 MPEG:2. BISS / RAS Desencryption

Spectrum Analyzer Rhode&Schwarz FSH3

VIDEO

Standard SDI / Analogue & 16:9 / 4:3

3 Digital video distribution amplifiers DTL

3 Analog video distribution amplifiers DTL

Precabing for a video mixer 8 channels SDI

Precabing for 2 CCU's SDI

Waveform analyzer Hamlet PAL / SDI

Test signal generator

AUDIO

Audio Mixer YAMAHA MG 12/4FX

12 Inputs

4 Outputs

3 Analog stereo audio distribution amplifiers DTL

Audio monitoring AEQ AM-03 6 stereo channels

Wireless microphone Sennheiser

Wireless IFB Sennheiser

ELECTRIC SYSTEM

Power generator ONAN 5000D

Power: 4,8KVA

DSNG Connection type: CETAC 32 A Single-phase

OTHERS

VTRs (By request)

Hand, lavalier microphones

Fluorescent Panels

Mobile IFB

ISDN Codec

TVRO Satellite reception

VEHICLE

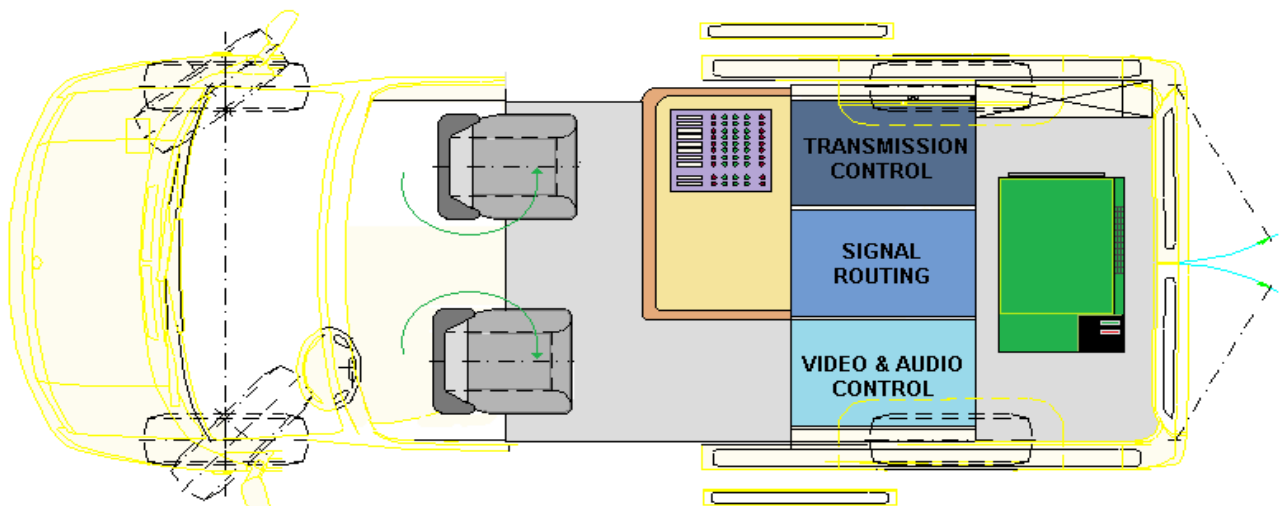
Mercedes Vito 111

Length: 5,3 m

Wide: 2 m

Height: 2,5 m

Weight: 2.600 Kg



ATM Broadcast S.L.

www.atm-es.com