



ATM 7 HD

OB VAN



www.atm-es.com



+34 917 131 700



OB VAN HD | FULLY REDUNDANT UPLINK



AUDIO

- Audio Mixer YAMAHA MG 12/4FX
12 Inputs
4 Outputs
- 3 Analog stereo audio distribution amplifiers DTL
- Audio Monitor WHOLER AMP1 S8
- Wireless EW365G2 Microphone and EW300IEMG2
- Receiver Sennheiser systems

VIDEO

- Standard HD (SMPTE 292M) & SD (SMPTE 259M) SDI
- Video Matrix 12x12 Black Magic
- 2 HD-SD Digital video distribution amplifiers NEVION
- 2 QUAD SPLIT HD/SD
- Waveform analyzer TRANSVIDEO HD-SD

TRANSMISSION

- Fully redundant uplink chain: 2+0, 1+1
EUTELSAT STATION CODE E-357
HISPASAT STATION CODE ATM-7
- EIRP: 71/68 dBW
- 2 Encoder NTT 9100+ 2 AZIMUTH AZ110
Video codification : 4:2:2. MPEG-4/2 HD / SD
DVBS & DVBS-2. QPSK, 8PSK
Encryption BISS E / BISS 1
- HPA's XICOM XT-400W+200W
XTC-114D Redundant HPA Controller
- Driveaway Antena HOLKIRK 1,2 m
Gain transmission: 43dBi
G/T:22,1dBk
- 2 Decoder ERICSSON RX8200 HD
4:2:2 MPEG:2/4. BISS
- Spectrum Analyzer Rhode&Schwarz FSH3



OB VAN HD | FULLY REDUNDANT UPLINK



ELECTRIC SYSTEM

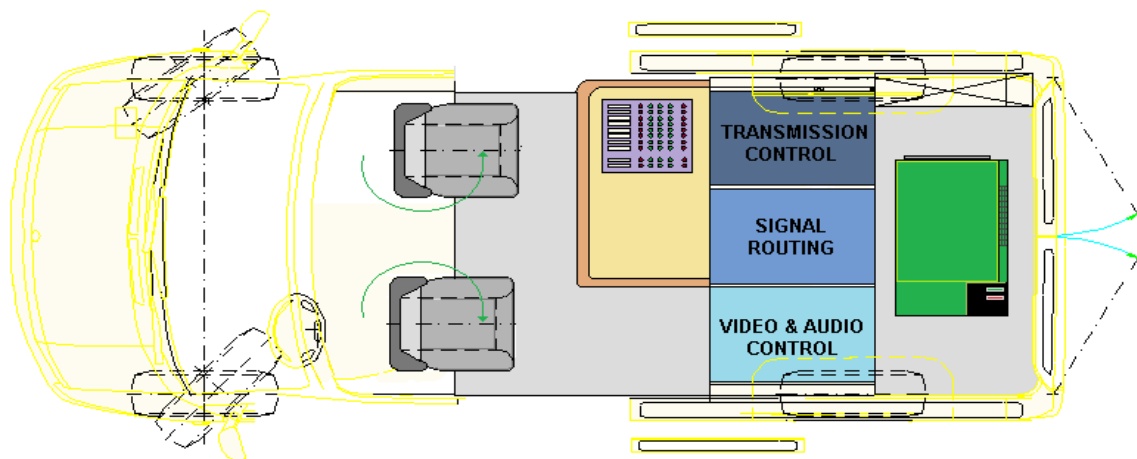
- Power generator onan 5000D
- U.P.S. 3000WTS
- DSNG Connection type: CETAC
32 A Single-phase

VEHICLE

- Mercedes Vitto 111
- Length: 5,3 m
- Wide: 2 m
- Height: 2,5 m
- Weight: 2.600 Kg

OTHERS

- VTRs (By request)
- Hand, lavalier microphones
- Flourescent panels
- Mobile IFB
- ISDN Codec
- TVRO Satellite reception



CONTACT US

 info@atm-es.com

 +34 917 131 700

 www.atm-es.com

